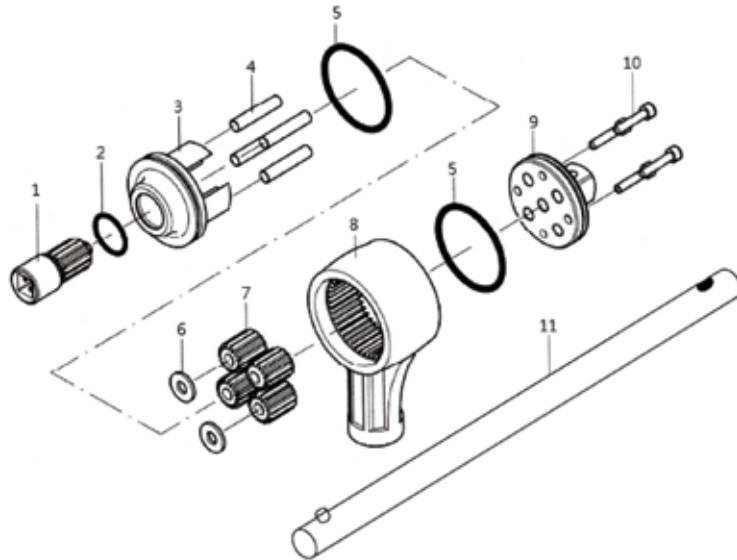


# Replacement Parts

## 401000 1/2" x 3/4" Dr. Torque Multiplier

No.	Parts No.	Description	Q'TY	CODE
01	040101	Gear Driver	1	006500
02	040102	O-Ring	1	000200
03	040103	Gear Cover	1	013300
04	040104	Roller Pin	4	001600
05	040105	O-Ring	2	000330
06	040106	Washer	2	000370
07	040107	Idler Gear	4	010100
08	040108	Gear Housing	1	019900
09	040109	Square Driver(Output)	1	013300
10	040110	Screw	4	000520
11	040111	Sustain Handle	1	003380



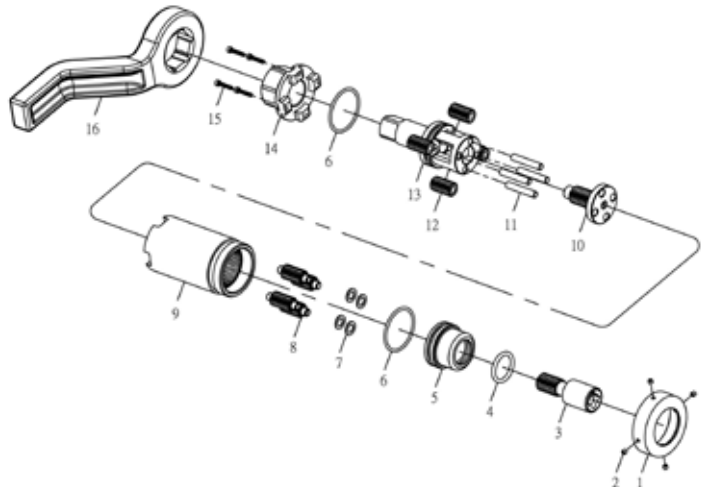
## 602000 3/4" x 1" Dr. Torque Multiplier

No.	Parts No.	Description	Q'TY	CODE
01	060201	Gear Driver	1	009660
02	060202	O-Ring	1	000260
03	060203	Gear Cover	1	013700
04	060204	Roller Pin	4	001780
05	060205	O-Ring	2	000390
06	060206	Washer	2	000370
07	060207	Idler Gear	4	012100
08	060208	Gear Housing	1	020300
09	060209	Square Driver(Output)	1	013900
10	060210	Screw	4	000630
11	060211	Sustain Handle	1	004640



## 401500 1/2" x 3/4" Dr. Torque Multiplier

No.	Parts No.	Description	Q'TY	CODE
01	041501	Rear Cap	1	004400
02	041502	Screw	4	000230
03	041503	Gear Driver	1	001520
04	041504	O-Ring	1	000130
05	041505	Gear Cover	1	004910
06	041506	O-Ring	2	000800
07	041507	Washer	4	000230
08	041508	Idler Gear	4	005420
09	041509	Gear Housing	1	015300
10	041510	Gear Plate	1	005860
11	041511	Roller pin	4	000800
12	041512	Idler Gear	4	006340
13	041513	Square Driver	1	020100
14	041514	Front Cap	1	010200
15	041515	Screw	4	000230
16	041516	Reaction Bar	1	010200



Miscellaneous